

# Plyfold



## 7023201 FOLDING CHAIR, WOOD SEAT, WOOD BACK, STACKING

W: 19" D: 22.75" H: 32.5" SW: 16.25" SD: 18" SH: 18" AH: - WT: 15 lb COM: - WT CAP: 400 lb

Zone	1	2	3	4	GENERAL INFORMATION
	582	597	611	626	WD SPECIES: Beech MOIS BARR: - CA TB133: -

Price includes Plastitack glides. Not available with back edge wall guard.



## 7028201 FOLDING CHAIR, UPH SEAT AND BACK, WOOD BACKSIDE, STACKING

W: 19" D: 22.75" H: 32.5" SW: 16.25" SD: 18" SH: 18" AH: - WT: 15 lb COM: 0.5 yd WT CAP: 400 lb

ZONE	B/COM	C	D	E	F	G	H	I	J	GENERAL INFORMATION
1	499	508	519	531	549	567	585	603	620	WD SPECIES: Beech
2	511	520	531	543	561	579	597	615	632	MOIS BARR: \$6
3	524	533	544	556	574	592	610	628	645	CA TB133: \$29
4	536	545	556	568	586	604	622	640	657	

For quantities of 6 or more see general information. COM yardage is 0.7 yards if quantity of 5 or less. Price includes Plastitack glides. Back edge wall guard is standard.



## 7028202 FOLDING CHAIR, UPH SEAT AND BACK, WOOD BACKSIDE, 2" WIDER, STACKING

W: 21" D: 22.75" H: 32.5" SW: 18.25" SD: 18" SH: 18" AH: - WT: 15 lb COM: 0.5 yd WT CAP: 400 lb

ZONE	B/COM	C	D	E	F	G	H	I	J	GENERAL INFORMATION
1	513	522	533	545	563	581	599	617	634	WD SPECIES: Beech
2	526	535	546	558	576	594	612	630	647	MOIS BARR: \$6
3	538	547	558	570	588	606	624	642	659	CA TB133: \$29
4	551	560	571	583	601	619	637	655	672	

For quantities of 6 or more see general information. COM yardage is 0.7 yards if quantity of 5 or less. Price includes Plastitack glides. Back edge wall guard is standard.



## 7028204 FOLDING CHAIR, UPH SEAT, WOOD BACK, STACKING

W: 19" D: 22.75" H: 32.5" SW: 16.25" SD: 18" SH: 18" AH: - WT: 15 lb COM: 0.4 yd WT CAP: 400 lb

ZONE	B/COM	C	D	E	F	G	H	I	J	GENERAL INFORMATION
1	541	548	557	566	581	595	609	624	638	WD SPECIES: Beech
2	554	561	570	579	594	608	622	637	651	MOIS BARR: \$6
3	568	575	584	593	608	622	636	651	665	CA TB133: \$23
4	581	588	597	606	621	635	649	664	678	

Price includes Plastitack glides. Not available with back edge wall guard.

**Specify:**

- Product Number
- Wood Finish
- Fabric Vendor, Pattern and Color

# Plyfold Accessories

## Accessories



### 7100001 LASER CUT

\$45 per chair  
 \$199 set up charge per design  
 See Ordering Information for Laser Cut information.



### 7100002 LASER CUT WITH COLOR FILL

\$63 per chair  
 \$199 set up charge per design  
 See Ordering Information for Laser Cut information.

### CUSTOM CNC BACK ROUT

\$41 per chair  
 \$542 set up charge per design  
 Call for information.



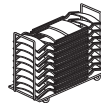
### 7190004 UNDERSEAT PANEL, PLYFOLD STANDARD WIDTH

WT: 1 lb      Beech  
 \$60  
 Panels with vinyl or Crypton upholstered seats will be drilled for ventilation. Not available for chairs with all-wood seats.



### 7190012 UNDERSEAT PANEL, PLYFOLD WIDER WIDTH

WT: 1 lb      Beech  
 \$63  
 Panels with vinyl or Crypton upholstered seats will be drilled for ventilation. Not available for chairs with all-wood seats.



### 7034126 DOLLY FOR PLYFOLD CHAIRS

W: 21"	D: 49"	H: 53"	WT: 63 lb
Zone 1	Zone 2	Zone 3	Zone 4
\$888	\$910	\$932	\$955

Dolly extension (7034003) is available. Plyfold chairs stack 16 high with the dolly and 20 high with the dolly extension.



### 7034127 4-WHEELED DOLLY, 2" WIDER

W: 23"	D: 49"	H: 53"	WT: 63 lb
Zone 1	Zone 2	Zone 3	Zone 4
\$903	\$926	\$948	\$971

Dolly extension (7034003) is available. Plyfold chairs stack 16 high with the dolly and 20 high with the dolly extension.

### 7034003 DOLLY EXTENSION

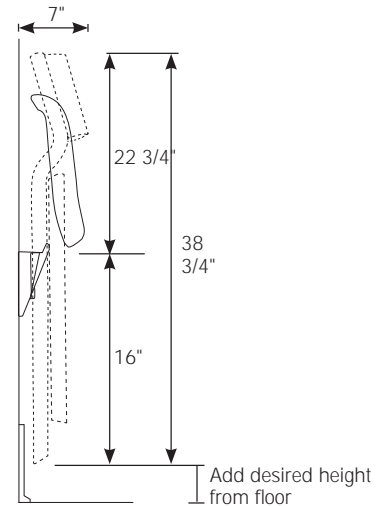
W: 21"	D: 49"	H: 65"	WT: 63 lb
\$192			

### 7170003 SMARTRAIL®

W: 23.5"	D: 3"	H: 5"	WT: 3 lb
\$138			



No additional hardware is needed. SmartRail® requires no additional hardware to hang the chair. All wall fasteners are included with the SmartRail®.



US Patent No. 9486082.